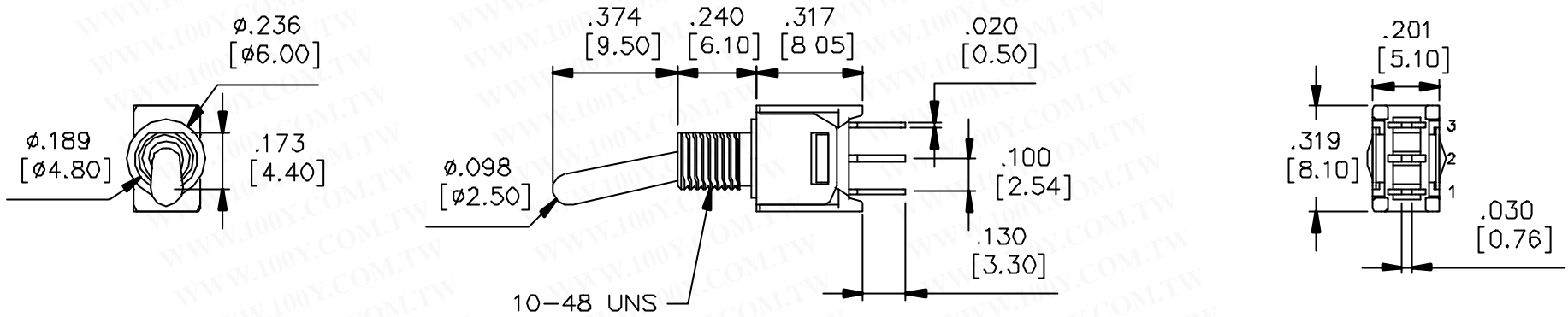
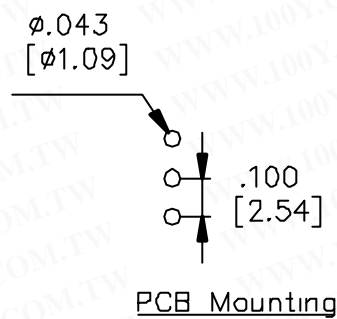


REV. 更改	DESCRIPTION 說明	ENG. 修改人	APPROVE 審核



勝特力材料 886-3-5753170
 勝特力电子(上海) 86-21-34970699
 勝特力电子(深圳) 86-755-83298787
[Http://www.100y.com.tw](http://www.100y.com.tw)



Model No	Switching Position		
MSP-1	ON	NONE	ON
MSP-2	ON	NONE	(ON)
MSP-3	ON	OFF	ON
MSP-4	(ON)	OFF	(ON)
MSP-5	ON	OFF	(ON)
Term. Comm.	2-3	OPEN	2-1

CONTACT MATERIAL OPTIONS

MOVABLE CONTACT & ALL TERMINALS: Copper alloy, silver plated.
 RATING: 3 Amps @125 VAC or 28 VDC.
 1.5 Amps @250 VAC.

ITEM NO. 料號	200-MSP-1-T1B1M2Q0 2MS1T1B1M2Q0
----------------	------------------------------------

THESE DRAWINGS AND SPECIFICATIONS ARE THE PROPERTY OF TAIWAY ELECTRONICS LTD. AND SHALL NOT BE REPRODUCED COPIED OR USED IN ANY MANNER WITHOUT THE PRIOR WRITTEN CONSENT OF TAIWAY ELECTRONICS LTD.

UNLESS OTHERWISE SPECIFIED DIMENSIONS ARE IN MILLIMETERS ANGULAR TOLERANCE: $\pm 1.0^\circ$

USED 用途	200	APPD. 審核	Andy 2003/02/27
FINISH 處理		CHKD 校對	Andy 2003/02/27
SCALE 比例	2 / 1	UNIT 單位	in(mm)
		DR. 製圖	Andy 2003/02/27
TITLE 名稱	MIN TOGGLE SWITCH		
DWG NO. 圖號	200-MSP-x-T1B1M2Q0		SIZE 圖紙
FILE NAME 檔案名稱	2MS112Q0.DWG	SHEET 張	1 / 1
		REV. 更改	3

MATERIAL